



Laminate Benchtop

Fabrication and Installation Guide

For ABS Edge Laminate Benchtop

Handling

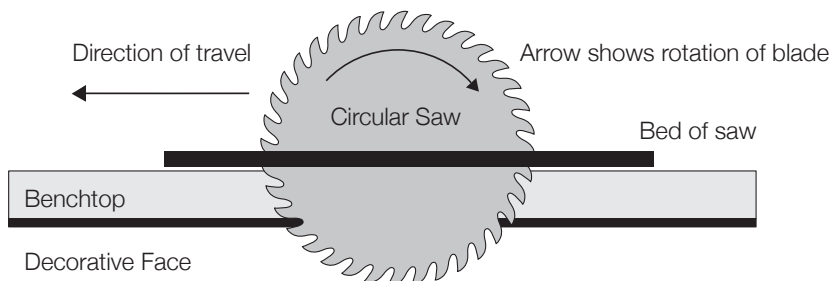
- Keep work area clean to avoid marring or scratching
- Avoid contact with abrasive surfaces or grit
- Lift benchtop carefully, do not slide on the decorative surface
- Do not use as a work surface

Cutting the ABS Edged Benchtop

- Measure the area where you are installing the benchtop and mark up accordingly on the benchtop underside.
- Apply masking tape along the cut line on the decorative side to reduce chipping.



- Cut the benchtop to your measured length using a circular saw.
- Always cut with decorative face down to minimise surface chipping, therefore cut from the rear/underside of the benchtop so the saw blade is cutting into the decorative face as this reduces damage to the decorative surface.

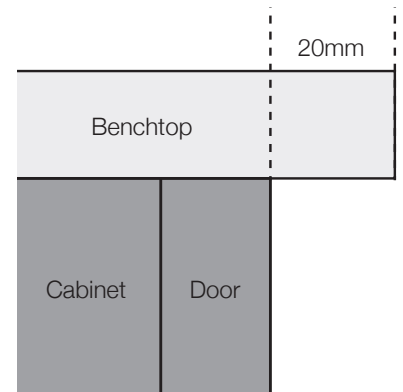


- Use a guide to ensure the cut is straight. Ensure the blade is perpendicular so the cuts are square to the surface.
- Ensure you are cutting the correct end of the benchtop so the raw exposed edges are either at the join, or against the wall.

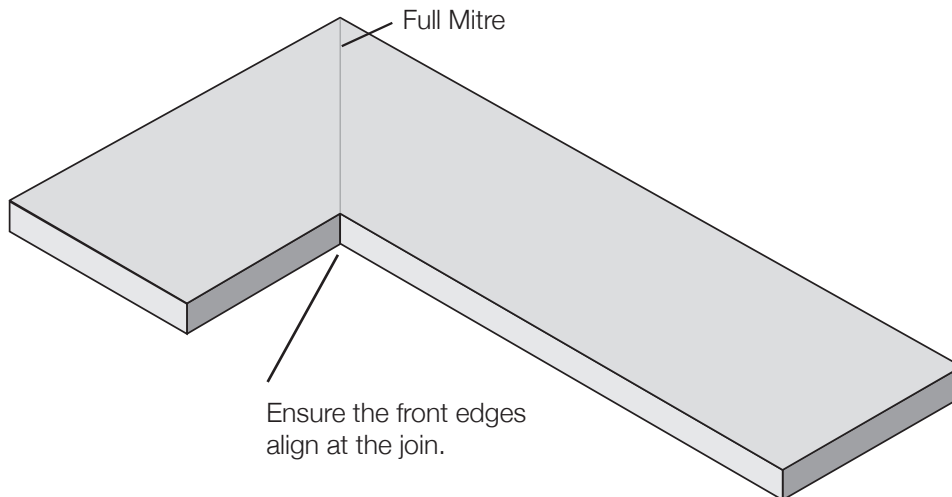
Formica® Laminate Benchtop

Fabrication and Installation Guide

- The depth of the benchtop may need to be trimmed if the wall it is being placed up against is not even. Ensure you leave enough depth to enable a minimum 20mm overhang from the face of the cabinet door.
- Some hand sanding can be used to improve the flatness of the join.



- If cutting a mitre join, cut one benchtop piece first then use this to ensure the corresponding angle on the other benchtop piece is correct, as the walls may not be at 90 degrees - square. This will assist in avoiding open joints.



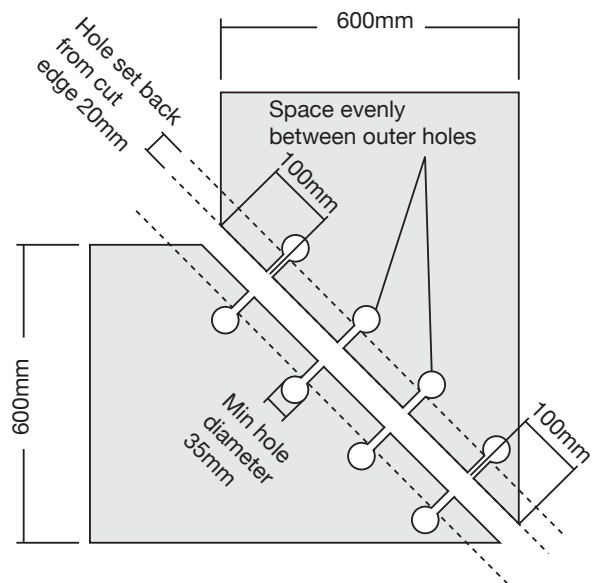
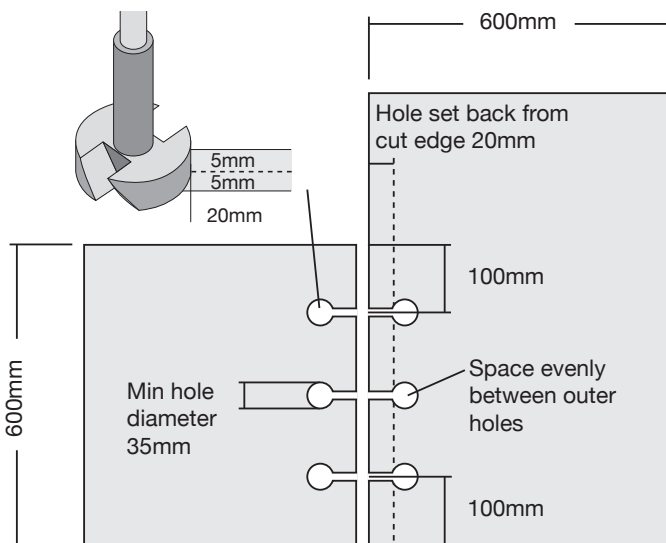
Formica® Laminate Benchtop

Fabrication and Installation Guide

Preparation for Joins

Ensure the position of the joiners is accessible from the underside when placed on the cabinets.

- On the underside of the benchtop, mark up where your drill bore holes for the joiners will be placed as indicated in the diagram - 20mm in from the edge of the benchtop and 100mm from the edge of the adjoining benchtop.
- The placement of the middle benchtop joiner is to be centred between the two outer bore holes.
- Using a 35mm hinge bore bit, drill to a depth of 25mm. The edge of the bore bit should just touch the 20mm line previously marked
- To complete, create a 10mm wide channel to join each opposing hole by using a fine tooth wood saw and a chisel. Remember to make the channel the same depth as the bore holes.



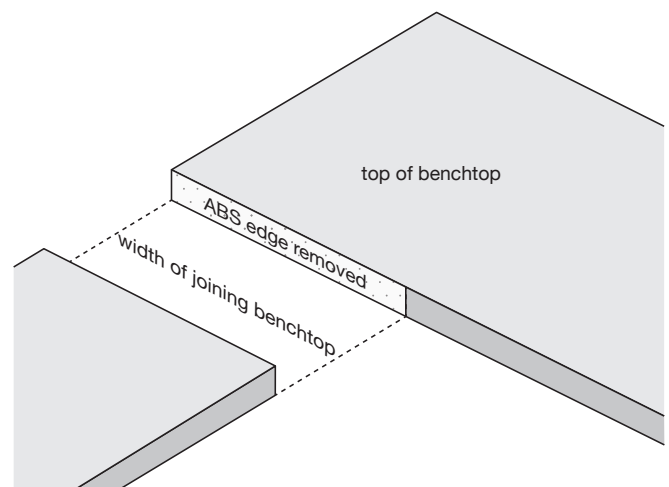
Joining Benches

Where two sections of benchtop are to be joined, lightly sand each raw end. Where there is ABS edging on one side, see below on how to remove edging.

Removing ABS edging

- Use a fine saw to cut just through the edging at the correct location for the join.
- Heat the section of edging using a heat gun at a distance to ensure edging does not burn or melt.
- A household iron can be used- use paper to protect the iron from melting plastic heating just enough to loosen the adhesive.
- Remove required section of edging using a metal scraper by separate the edging away from the benchtop as well as removing any excess glue.

Note: Removing ABS edging is not required if cutting a full mitre joint.

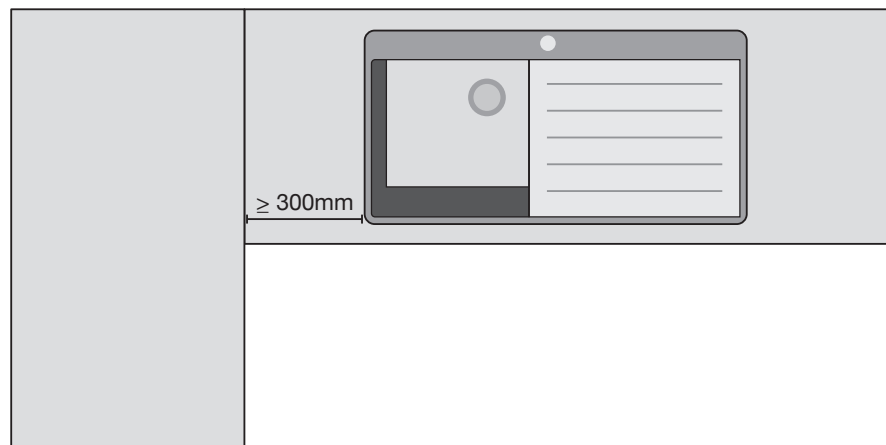
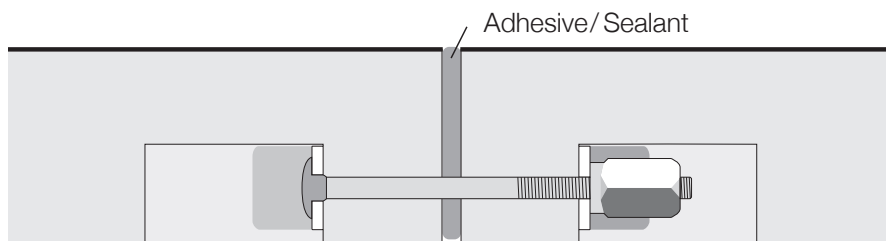


Formica® Laminate Benchtop

Fabrication and Installation Guide

Adhesives

- Waterproof or exterior PVA adhesive properly applied, gives a good permanent seal. Kitchen and bathroom grade silicon can also be used.
- Spread sufficiently thick to ensure a good seal is achieved. Loosely tighten the tops initially and clean down to examine the join.
- Apply a complete spread of PVA adhesive or Silicone adhesive to one surface of the components before clamping them together. Close the join and allow excess adhesive or sealant to squeeze out.
- Secure the join using work top connectors and clean away excess adhesive with appropriate solvent as instructed on the adhesive of choice.
- Ensure the tops are level and correctly positioned.
- Retighten the join and re-clean. Do not overtighten as this may cause the benchtop to crack.
- Biscuit joins can be used if the equipment is available to you.



Note: Where possible, joins should always be away from water sources such as sinks to minimise risk of water damage to joins (minimum 300mm).

Installing Benchtop

Note: Benchtops should not be flush against the wall, leaving a 2-3mm gap.

- Fix the benchtop to the back of the cabinet using 90° angle bracket and 14mm screws.
- Fix the support rail using 28mm screws through into the benchtop from below.

Attaching laminate edging to raw ends

- Using contact adhesive, attach the supplied laminate edging strip to the raw, exposed end of the benchtop making sure there is overhang of the strip all the way around
- Once the edging has properly adhered, use a file to remove the excess edging from around the benchtop until it is even with the edge of the benchtops

Note: Take care when filing to avoid scratching the top of the benchtop. Work with the file towards the benchtop.